

Control System

# WR-EB-KIT

## Restroom Emergency Assistance Kit

INSTALLATION INSTRUCTIONS

### THIS KIT INCLUDES:

#### 1. Restroom Emergency Assistance Kit:

- (1) Audible & Visual Annunciators,
- (1) Emergency Instruction Sign,
- (1) Emergency Mushroom Push Button;

**IN THE EVENT OF AN EMERGENCY  
PUSH EMERGENCY BUTTON  
AND AUDIBLE AND VISUAL SIGNAL  
WILL ACTIVATE**



### 1. GENERAL DESCRIPTION

The Emergency Assistance Kit provides a simple and reliable method for restroom users to request help when needed. The system includes an emergency push button inside the restroom and annunciators both inside and outside the space.

When the emergency button is pressed, the system activates both audible and visual alarms to alert staff or nearby occupants. This ensures quick response in accessibility or medical emergency situations.

The system complies with accessibility regulations for emergency call systems.

### 2. SYSTEM COMPONENTS

The integrated kit includes one functional section: the emergency assistance system.

#### Emergency Assistance Section

The emergency call system allows a user to request help when needed. It includes:

- Emergency push button with integrated annunciator (inside)
- Outside annunciator with sounder
- Emergency signage
- Mounting accessories

When the emergency button is pressed, both annunciators activate simultaneously, providing a clear visual and audible signal.

### 3. SYSTEM OPERATION

#### 3.1 Emergency Assistance Operation

If a user requires assistance, they can press the emergency button located inside the restroom. This action closes the internal contact and activates both the inside and outside annunciators.

The system immediately provides:

- Audible alarm
- Visual assistance indicators

This ensures that staff or nearby occupants are alerted to the emergency condition. Once assistance has been provided, the system can be reset by pulling out the emergency button, which silences the alarms and returns the system to normal operation.

### 4. INSTALLATION OVERVIEW

The emergency devices should be mounted in standard double-gang electrical boxes at appropriate heights for accessibility. Proper alignment and flush mounting are important to ensure correct sensor operation and a professional appearance.

### 5. WIRING OVERVIEW

The inside emergency button includes a built-in annunciator and connects to the controller through a dedicated terminal. The outside annunciator is connected separately to its own terminal, ensuring clear wiring and easy installation.

The controller provides a **built-in 12V DC power** output for the inside emergency unit and outside annunciator, allowing direct connection without the need for an external power supply.

### 6. VOLUME ADJUSTMENT

The annunciators include a volume adjustment screw.

- Turn clockwise: increase volume
- Turn counter-clockwise: decrease volume
- Fully counter-clockwise: mute sounder

### 7. FINAL TESTING PROCEDURE

After installation is complete, the system should be tested thoroughly to confirm proper operation.

1. Apply power to the system.
2. Press the emergency assistance button.
  - Both annunciators should activate.
3. Reset the emergency button.
  - Alarms should stop.

If all steps operate correctly, the system is ready for use.

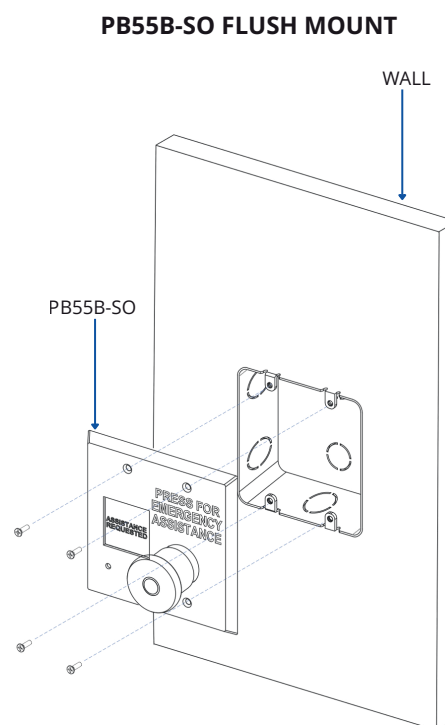
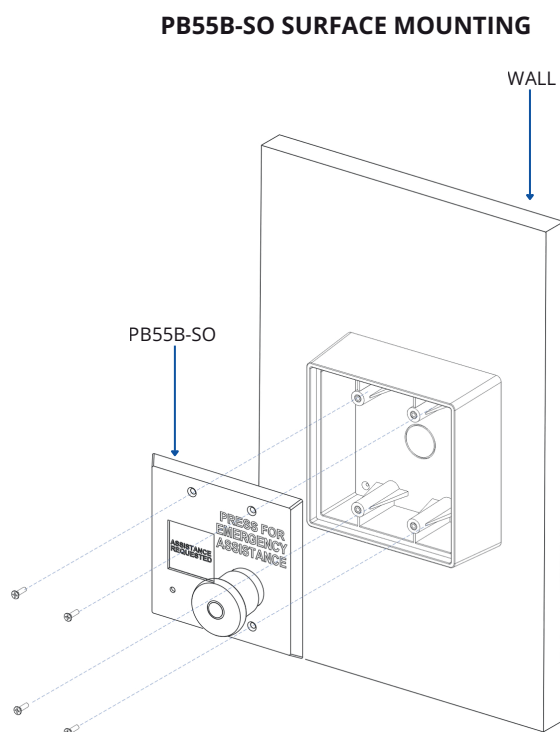
### 8. SAFETY AND COMPLIANCE NOTES

All components must be installed according to local electrical codes and the authority having jurisdiction. The electric strike must be installed in a manner that does not interfere with emergency exit hardware or panic devices.

## 9. DOUBLE GANG PB55B-SO MOUNTING

1.
  - If using an in-wall box ensure the box is plumb and square, and flush with the wall surface.
  - If using a surface box, ensure it is secure & plumb.
  - If using a 4 x 4 box, ensure the box is plumb and square, and flush with the wall surface.
2. Bring your 4 or 6-conductor wire through the back or side of the backbox for wiring connection.
3. Make the electrical connections to the device according to the wiring section.
4. Attach the faceplate to the backbox using the four screws provided. (Surface Mount)  
Attach the faceplate to the In-wall box using the four screws provided. (Flush Mount)

**NOTE: Do not overtighten!**

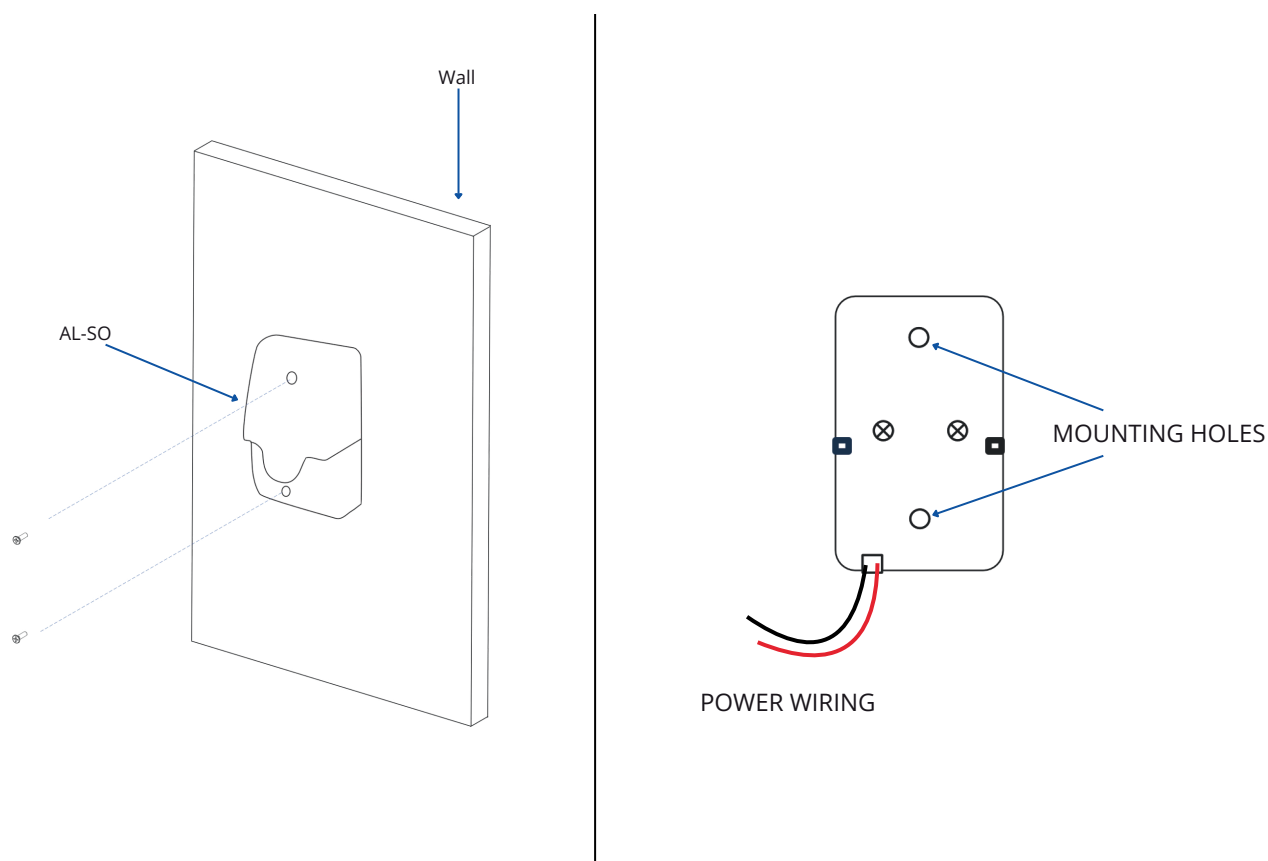


## 10. AUDIBLE & VISUAL ANNUNCIATORS AL-SO MOUNTING

1. Consider the type of mounting and where to run the wires. The two power connector from the lower part of the device back but also with a notch at the bottom to allow for hidden or exposed wiring.
2. Run two wires from MDC24 Controller Siren(12VDC) + & - to the Annunicator installation location. **Wet contact**
3. For surface mounting, mark and drill the mounting holes and holes for the wiring if needed.
5. Use the included mounting screws (and plastic wall anchors if needed) to mount the device taking care not to crimp the wires.

**NOTE:** The Audible & Visual Annunciators mounting holes are spaced so that it can also be mounted to a standard single-gang back box.

### AL-SO AUDIBLE & VISUAL ANNUNCIATORS MOUNTING

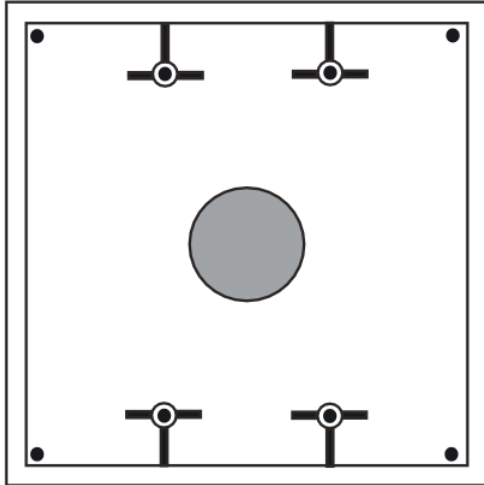


## DIMENSIONS

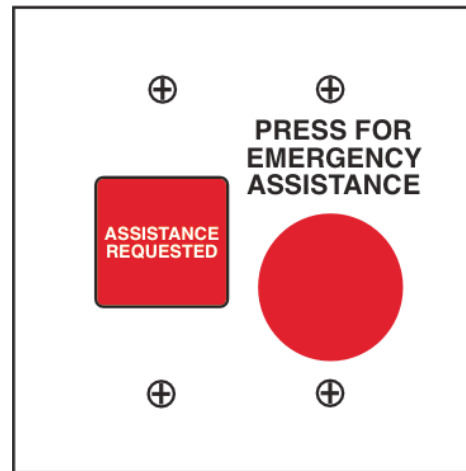
**IN THE EVENT OF AN EMERGENCY  
PUSH EMERGENCY BUTTON  
AND AUDIBLE AND VISUAL SIGNAL  
WILL ACTIVATE**

(270x150 mm)

EI-SIGN



(129.5x129.5x51.5 mm)



(144x114x45 mm)

PB55B-SO

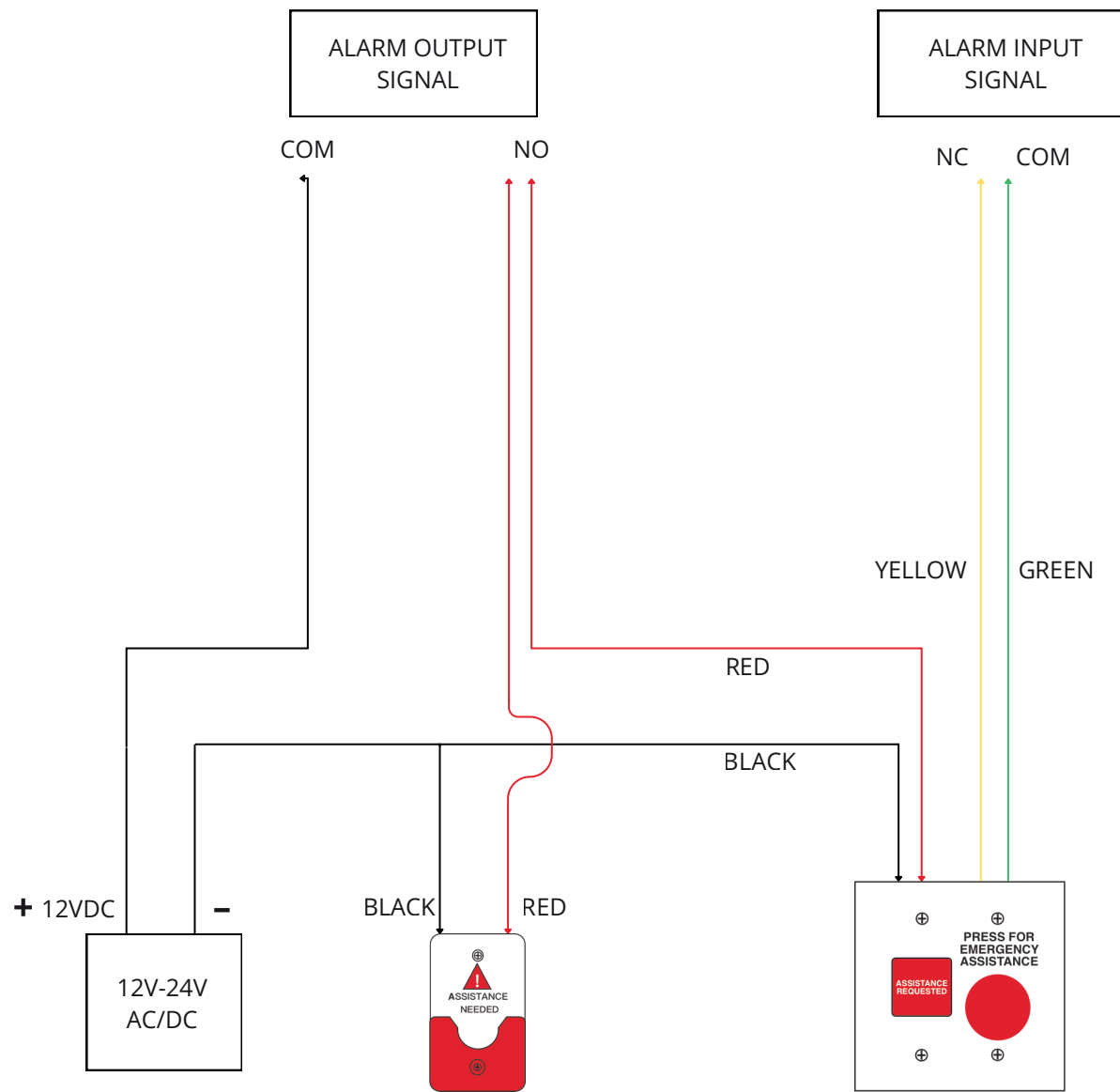


(73x127x44 mm)

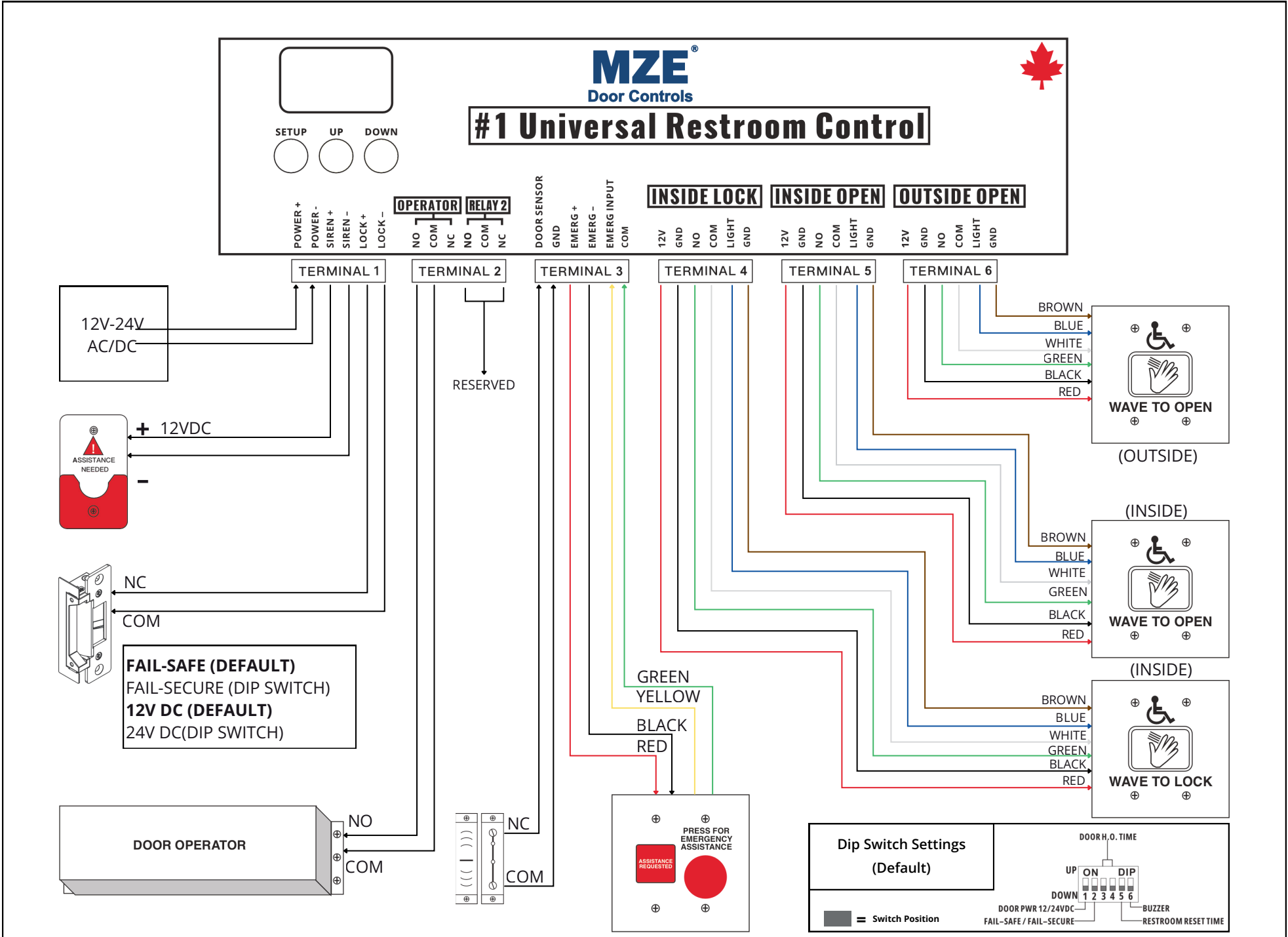
AL-SO



# EMERGENCY BUTTONS AND ANNUNCIATOR WIRING



# MZE RESTROOM KIT WIRING DIAGRAM - WR-WAVE-KIT/FULL



For detailed DIP switch settings, please refer to the "DIP Switch Functions" section.