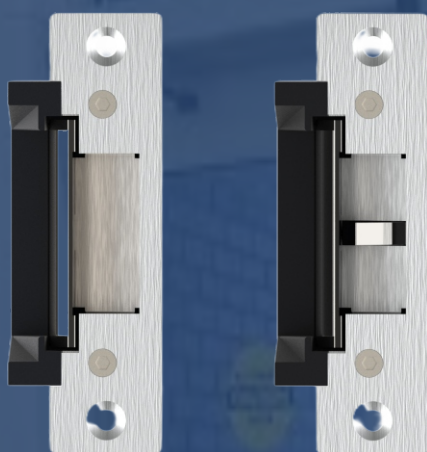


ES236 & ES236S Electric Strikes



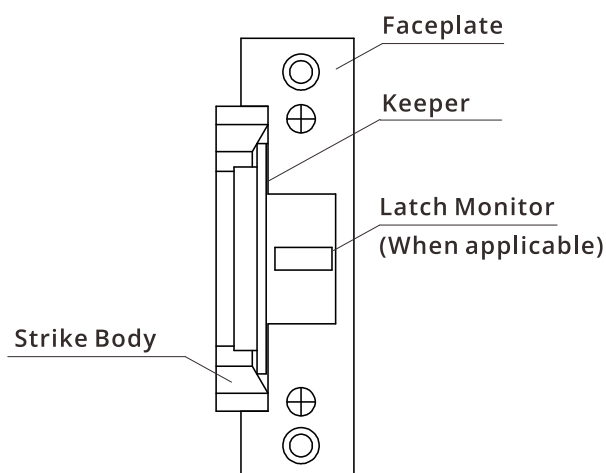
The low-profile, versatile ES236 & ES236S electric strikes are engineered for compatibility with cylindrical locksets and select mortise locksets without deadbolts, suitable for both metal and wood door frames.

The ES236 model provides reliable mechanical performance for standard access control applications. The ES236S variant includes a built-in signal output, enabling door status monitoring or access control system integration where feedback indication is required.

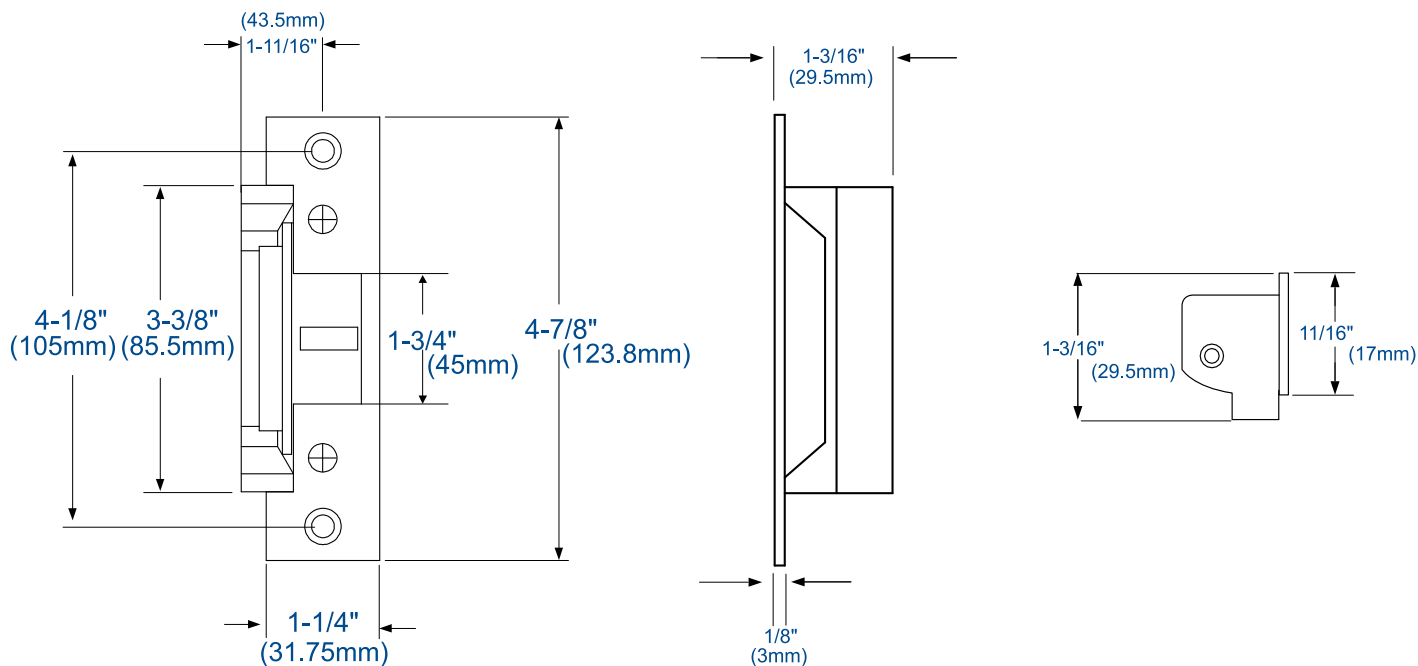
Both models are designed for easy installation, high durability, and consistent performance in commercial and institutional environments.

Features

- Low Profile
- Field selectable fail-safe and fail-secure (fail-secure default), with simple and easy screw reversal
- Included trim piece for installation flexibility and improved appearance
- Mounting tabs included for aluminum frame installation
- Two face plates included: Radius and square edge stainless steel (4 7/8" x 1 1/4")
- Field selectable 12/24 VDC
- Voltage spike suppressor included
- Suitable for rain or dust environment



PRODUCT INSTRUCTIONS



SPECIFICATIONS

Model	ES236	ES236S
Operating Voltage	12 VDC or 24 VDC	
Voltage Tolerance	± 10%	
Current Draw	300mA/12VDC, 150mA/24VDC	
Operating Temperature	14°F to 120°F (-10°C to 49°C)	
Latch Throw	3/4" (19mm)	
Keeper Width	1 3/4"(45mm)	
Static Strength	1500 lbs	
Dynamic Strength	70 ft-lbs	
Cycle Test	250,000 cycles	
Latch Monitor	No	Yes

